

## INSTRUCTION MANUAL FOR MINI FOGGER VECTORFOG BY100

When fogging outdoors, you should only fog for short periods at a time and when there is not much wind. When fogging indoors you should start at the furthest part of the building and work your way back until you get to the entrance or exit.

It's essential to read the chemical manufacturer's instructions before you start applying, including diluting ratio and safety precautions.

Only experienced personnel should operate this equipment.

You must exercise caution when connecting the propane/butane canister, in order to avoid the risk of fire.

### CAUTION MARKS



Please read this manual before using the equipment.



You must wear protective equipment (face/breathing mask, protective clothing, gloves, etc.) when handling potentially hazardous chemicals.



It is advisable to wear ear plugs to protect the user from the high noise produced by the machine



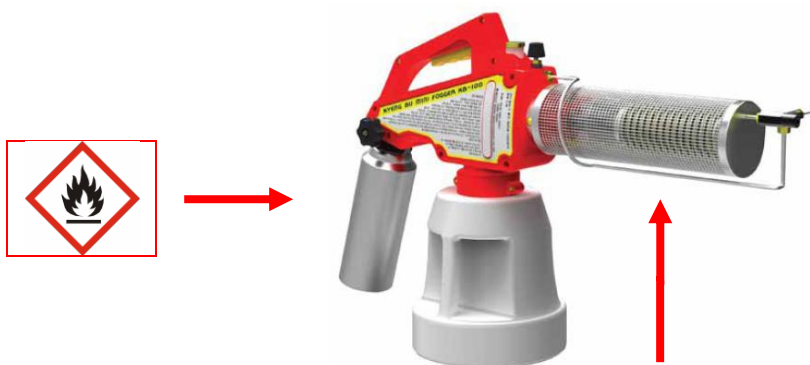
The interior of the machine heats up to extremely high temperatures. Do not add fuel or chemicals during the operation of the machine or when it is hot after use.



Avoid fogging chemicals upwind.



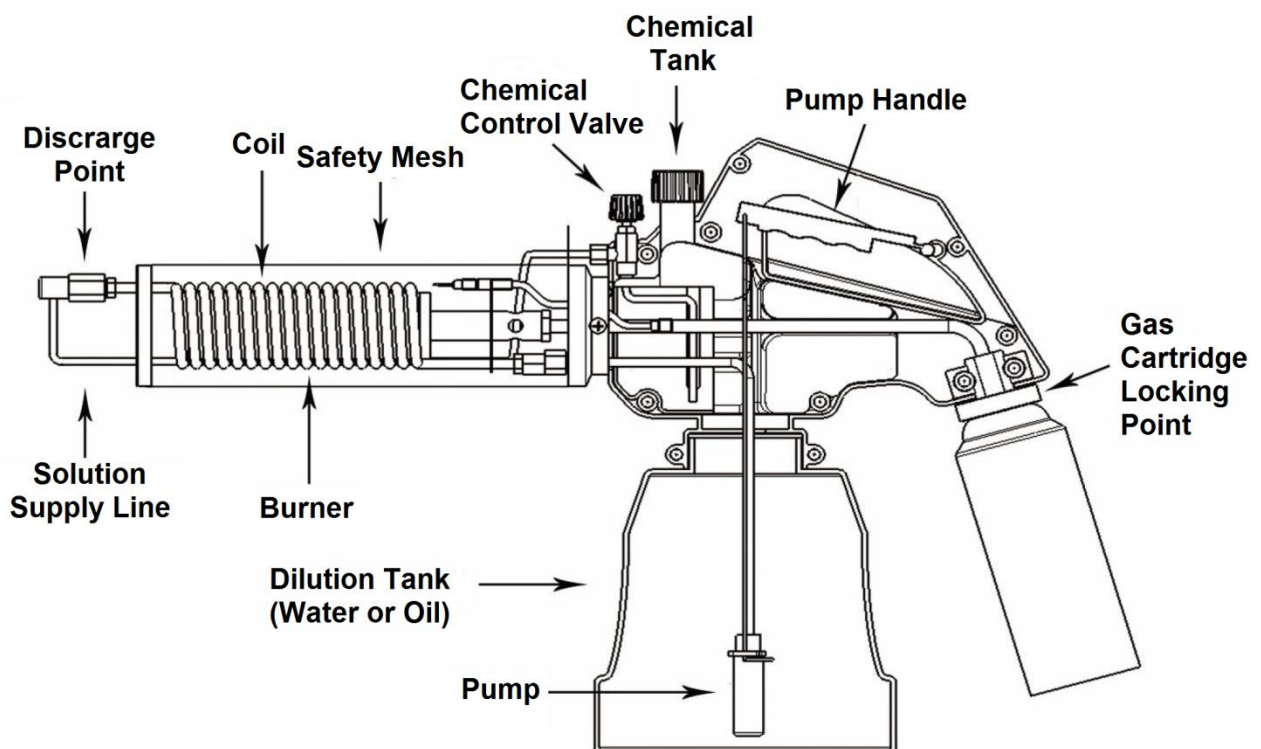
Flammable butane gas (Cartridge Type)



## SPECIFICATIONS

<b>Model</b>	<b>Mini Fogger BY-100</b>
<b>Dilutant Tank (Water or Oil)</b>	2.8 Litres
<b>Chemical Tank</b> (dilute chemical with a little oil or water to help emulsify)	400 ml
<b>Fogging</b>	Duel Function: Water or Oil Fogging
<b>Flow Rate</b>	2 LPH
<b>Fuel</b>	Propane/Butane Gas Cartridge
<b>Chemical Output</b>	1-5 Litres
<b>Net Weight</b>	1.70 Kg
<b>Gross Weight</b>	2.50 Kg
<b>Dimension</b>	610 x 175 x 400 (mm)
<b>Accessories</b>	<ol style="list-style-type: none"> <li>1. Mini Fogger BY-100</li> <li>2. Plastic Pump</li> <li>3. Shoulder Strap</li> <li>4. Manual</li> </ol>

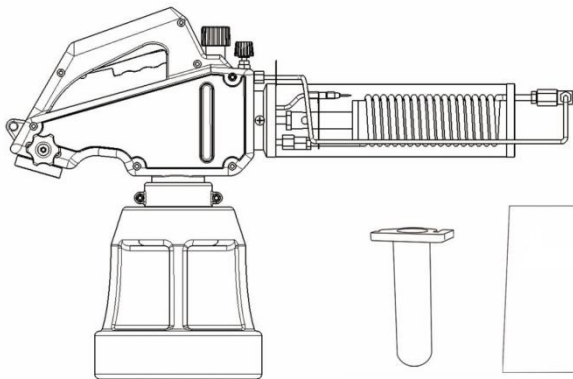
VectorFog™ Mini Foggers are powered by a standard propane or butane gas cartridge. The gas is ignited by a piezo and the gas heats a metal coil tube. The water or oil dilutant is then heated and mixed with the chemical to create a fog or mist. Thanks to its portability, the Mini fogger is ideal for fogging pesticides and disinfectants in a multitude of locations such as in homes, patios, parks, silos, chicken coops and greenhouses.



## CHECKLIST BEFORE STARTING THE UNIT

### Unpacking the unit

When unpacking the unit, please make sure that the machine is not damaged and that all the accessories mentioned in this manual are not missing.



BY-100 Mini Fogger

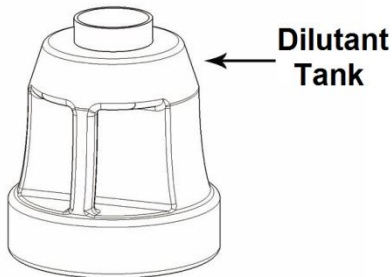
Plastic Pump

Manual

Shoulder Strap

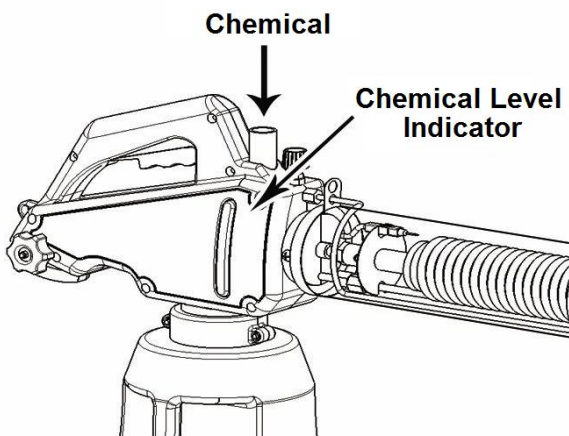
### Fill the fuel tank

Unscrew the tank anticlockwise from the main body. Fill the tank with the dilutant of your choice. Water for water based fogging or oil for oil based fogging. Do not add more dilutant than it's needed. Do not overfill the tank. When you finish filling the tank, screw the tank tightly back to the main body in a clockwise direction.



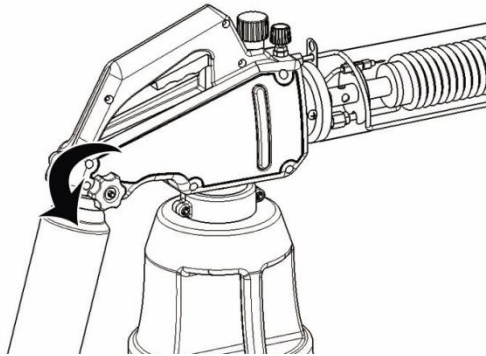
### Fill the chemical tank

Premix chemical with an oil or water based emulsifier prior to filling the chemical tank. Please refer to chemical manufacturers instructions for correct ratio. Fill the special chemical mixture into the chemical tank. It is important not to add more chemical mixture than it's needed. Please check level on the window located on the side of the machine. Maximum Level is 350ml. Leaving remaining chemicals in the tank after use could affect the performance of the machine in the following session as deposits may solidify. When you finish filling the tank, close the tank cap tightly.



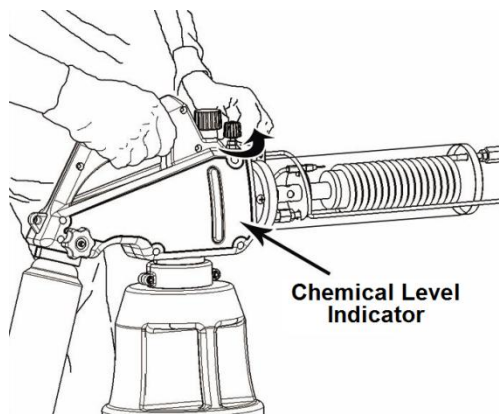
### To turn on the machine

Connect the propane/butane gas cartridge to the main body. Make sure is locked into position. Turn the gas supply on by turning the valve anticlockwise, as shown in the diagram below. To start the machine, press the ignition switch located on the left hand side of the machine. It is necessary to keep the machine on for about 10 seconds (if water fogging) and/or 30 seconds (if oil fogging) to warm up before opening the chemical valve.



### To start fogging

Once the machine has warmed to the required temperature, turn the chemical valve anticlockwise as shown in the diagram below and press the trigger to start fogging. When the trigger is released, the fogging will pause. *Note. When oil fogging, please make sure all the oil has been consumed. Any oil still left in the coil after use could cause it to block and not work on the next session.*



### To turn off the machine

Release the trigger. Turn the chemical supply valve clockwise to stop the supply of chemical. Turn off the gas supply by turning the valve clockwise as shown on the diagram below. Remove gas cartridge. *Note: When storing the machine, please make sure no dilutant or chemicals are left in the tank.*

